

DH-IPC-HDW2431R-ZS

4MP IR Eyeball Network Camera



- 1/3" 2Megapixel progressive CMOS
- H.265& H.264 dual-stream encoding
- 20fps@4M(2688×1520)&25/30fps@3M(2304×1296)
- WDR(120dB), Day/Night(ICR), 3DNR, AWB, AGC, BLC
- Multiple network monitoring: Web viewer, CMS(DSS/PSS) & DMSS
- Micro SD card slot, up to 128GB
- 2.7~13.5mm varifocal lens
- Max IR LEDs Length 50m
- IP67, PoE



System Overview

The IR Megapixel Vari-focal Eyeball camera delivers 2MP resolution with a motorized 2.7mm – 12mm varifocal lens. The camera's elegant blend of aesthetics combined with a range of easy mounting solutions provides an excellent choice for a variety of small to mid-size applications at an affordable price.

Functions

True Day/Night

A day/night mechanical IR cut filter makes this camera ideal for applications with fluctuating lighting conditions, delivering color images during the day and automatically switching to monochrome as the scene darkens

Regions of interest

Regions of Interest (ROI) is a user defined feature that allows the operator to monitor specific areas of a scene while still maintaining overall situational awareness of less important areas

Smart IR

With IR illumination, detailed images can be captured in low light or total darkness. The camera's Smart IR technology adjusts to the intensity of camera's infrared LEDs to compensate for the distance of an object. Smart IR technology prevents IR LEDs from whitening out images as they come closer to the camera. The camera's integrated infrared illumination provides high performance in extreme low-light environments up to 50m (164ft).

Wide Dynamic Range

Embedded with industry leading wide dynamic range (WDR) technology, vivid pictures are achieved even in the most intense contrast lighting conditions. For applications with both bright and low lighting conditions that change quickly, True WDR (120dB) optimizes both the bright and dark areas of a scene at the same time to provide usable video.

Image flip

Capturing unnecessary data such as surrounding hallway walls can increase storage requirements without any added value. The image flip feature allows the camera's image to be rotated in 90° increments for better video optimization.

Protection

Supporting ±10% input voltage tolerance, this camera suits even the most unstable conditions for outdoor applications. Its 6KV lightning rating provides protection against the camera and its structure from the effects of lightning.

Interoperability

The camera conforms to the ONVIF (Open Network Video Interface Forum) specifications, ensuring interoperability between network video products regardless of manufacturer

HEVC (H.265)

H.265 ITU-T VCEG is a new video coding standard. H.265 Following standard developed around the existing video coding standard H.264, some retain the original technology, while some of the relevant technology to improve the new technology uses advanced technology to improve the relationship between the code stream, encoding quality, and the delay between algorithm complexity, optimize settings specific contents include: Improve compression efficiency, improve the robustness and error recovery capabilities, real-time to reduce the delay, reduce channel acquisition time and a random access delay, reduce complexity, etc

Technical Specification

Camera

| | |
|--------------------------|---|
| Image Sensor | 1/3" 4Megapixel progressive CMOS |
| Effective Pixels | 2688(H) x1520(V) |
| RAM/ROM | 512MB/32MB |
| Scanning System | Progressive |
| Electronic Shutter Speed | Auto/Manual, 1/3(4)~1/100000s |
| Minimum Illumination | 0.03Lux/F1.4(Color,1/3s,30IRE) 0.3Lux/1.4(Color,1/30s,30IRE) 0Lux/F1.4(IR on) |
| S/N Ratio | More than 45dB |
| IR Distance | Distance up to 50m(164ft) |
| IR On/Off Control | Auto/ Manual |
| IR LEDs | 2 |

Lens

| | | | | | |
|----------------------|-----------------------|-------------|------------|------------|-----------|
| Lens Type | Motorized | | | | |
| Mount Type | Board-in | | | | |
| Focal Length | 2.7mm~13.5mm | | | | |
| Max. Aperture | F1.4 | | | | |
| Angle of View | H:104°~28°, V:55°~16° | | | | |
| Focus Control | Motorized | | | | |
| Close Focus Distance | 0.2m | | | | |
| DORI Distance | Lens | Detect | Observe | Recognize | Identify |
| | W | 64m(210ft) | 26m(85ft) | 13m(43ft) | 6m(20ft) |
| | T | 222m(728ft) | 89m(292ft) | 44m(144ft) | 22m(72ft) |

PTZ

| | |
|----------------|---|
| Pan/Tilt Range | Pan:0° ~360° ;Tilt:0° ~78° ;Rotation:0° ~360° |
|----------------|---|

Video

| | |
|----------------------|--|
| Compression | H.265+/H.265/H.264+/H.264 |
| Streaming Capability | 2 Streams |
| Resolution | (2688x1520)/(2560x1440)/ (2304x1296)/1080P(1920x1080)/ SXGA(1280x1024)/1.3M(1280x 960)/720P(1280x720)/ D1(704x 576/704x480)/VGA(640x 480) CIF(352x288/352x240) |
| Frame Rate | 4M (1 ~ 20fps)/3M(1 ~ 25/30fps) D1/CIF(1 ~ 20/25fps) |
| Bit Rate Control | CBR/VBR |
| Bit Rate | H.265: 12K ~ 6400Kbps H.264: 32K ~ 10240Kbps |
| Day/Night | Auto(ICR) / Color / B/W |
| BLC Mode | BLC / HLC / WDR(120dB) |

| | |
|-------------------------------------|---|
| White Balance | Auto/Natural/Street Lamp/Outdoor/Manual |
| Gain Control | Auto/Manual |
| Noise Reduction | 3D DNR |
| Motion Detetion | Off / On (4 Zone, Rectangle) |
| Region of Interest | Off / On (4 Zone) |
| Electronic Image Stabilization(EIS) | N/A |
| Smart IR | Support |
| Digital Zoom | 16x |
| Flip | 0°/90°/180°/270° |
| Mirror | Off / On |
| Privacy Masking | Off / On (4 Area, Rectangle) |

Audio

| | |
|-------------|-----|
| Compression | N/A |
|-------------|-----|

Network

| | |
|---------------------|---|
| Ethernet | RJ-45 (10/100Base-T) |
| Protocol | HTTP;HTTPS;TCP;ARP;RTSP;RTP;UDP;SMTP;FTP; DHCP;DNS;DDNS;PPPOE;IPv4/v6;QoS;UPnP;NTP; Bonjour;802.1x;Multicast;ICMP;IGMP; |
| Interoperability | ONVIF, PSIA, CGI |
| Streaming Method | Unicast / Multicast |
| Max. User Access | 10 Users/20 Users |
| Edge Storage | NAS Local PC for instant recording Micro SD Card 128GB |
| Web Viewer | IE, Chrome, Firefox, Safari |
| Management Software | Smart PSS, DSS, Easy4ip |
| Smart Phone | IOS, Android |

Certifications

| | |
|----------------|--|
| Certifications | CE (EN 60950:2000) UL:UL60950-1 FCC: FCC Part 15 Subpart B |
|----------------|--|

Interface

| | |
|-----------------|-----|
| Video Interface | N/A |
| Audio Interface | N/A |
| RS485 | N/A |
| Alarm | N/A |

Electrical

| | |
|-------------------|------------------------------|
| Power Supply | DC12V PoE (802.3af)(Class 0) |
| Power Consumption | <11.26W |

Environmental

| | |
|----------------------|---|
| Operating Conditions | -30° C ~ +60° C (-22° F ~ +140° F) / Less than 95% RH |
| Storage Conditions | -30° C ~ +60° C (-22° F ~ +140° F) / Less than 95% RH |
| Ingress Protection | IP67 |
| Vandal Resistance | N/A |

Construction

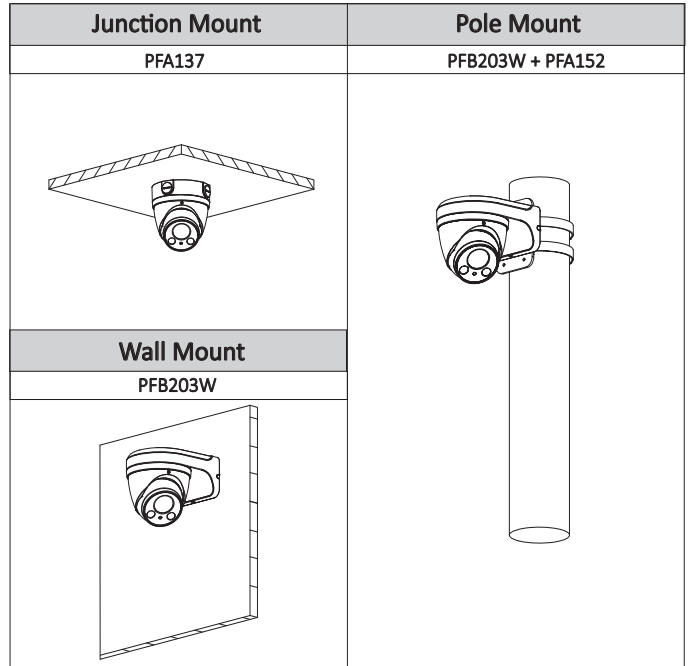
| | |
|--------------|----------------------------|
| Casing | Metal |
| Dimensions | Φ122mm x 102mm(4.8" x4.0") |
| Net Weight | 0.60Kg(1.32lb) |
| Gross Weight | 0.71Kg(1.57lb) |

Ordering Information

| Type | Part Number | Description |
|------------------------|---------------------|---|
| 2MP Camera | DH-IPC-HDW2431RP-ZS | 4MP WDR IR Eyeball Network Camera, PAL |
| | DH-IPC-HDW2431RN-ZS | 4MP WDR IR Eyeball Network Camera, NTSC |
| | IPC-HDW2431RP-ZS | 4MP WDR IR Eyeball Network Camera, PAL |
| | IPC-HDW2431RN-ZS | 4MP WDR IR Eyeball Network Camera, NTSC |
| Accessories (optional) | PFA137 | Junction box |
| | PFB203W | Wall mount |
| | PFA152 | Pole mount |

Accessories

Optional:



Dimensions (mm/inch)

